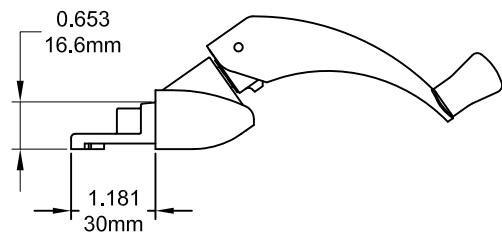
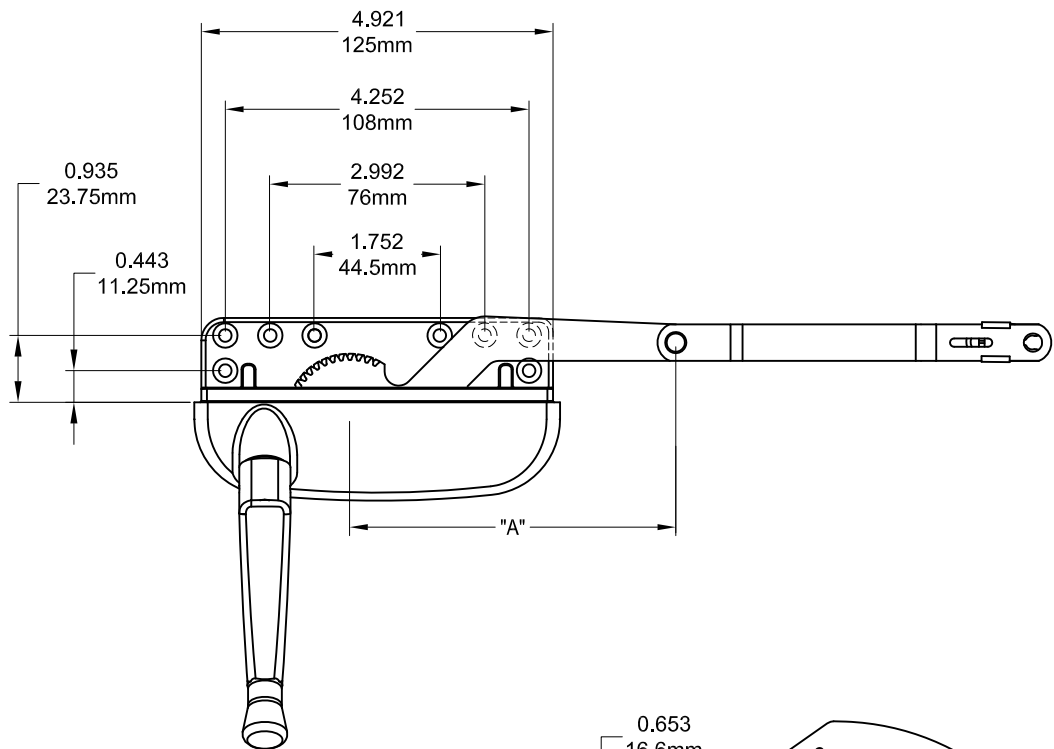
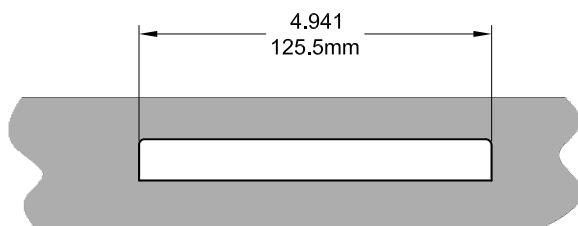
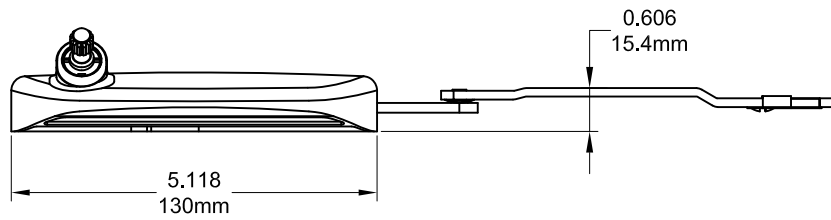


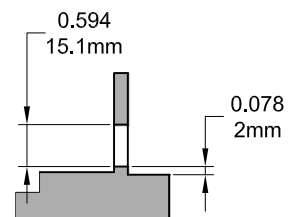
Grande Case Reverse Dyad Operator(Sill Mount)

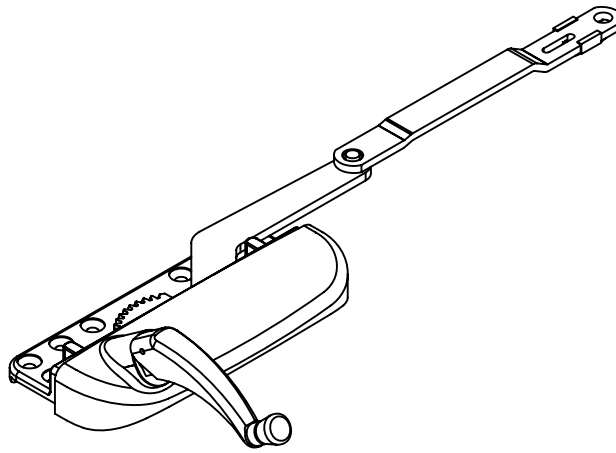


Left Hand Shown



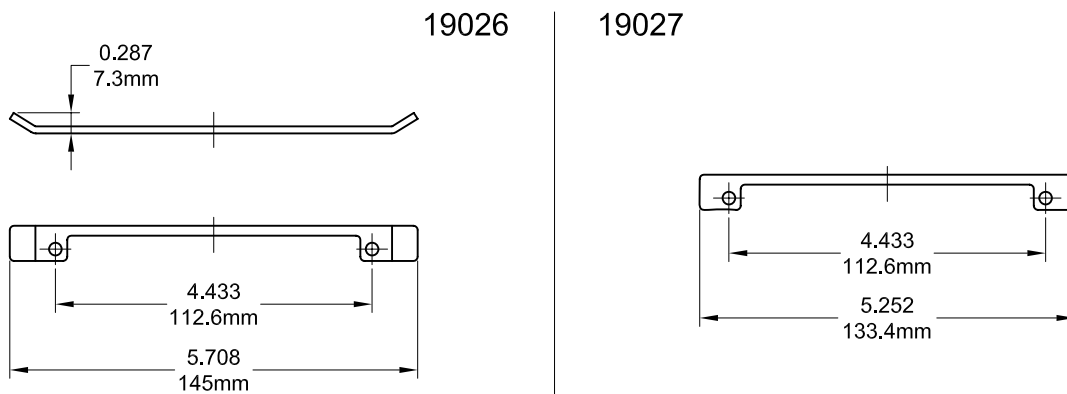
Profile Cut Out





Product Name	Part Number	" A "
Grande Reverse Dyad Operator , RH	132626-RQSW	4.75 "
Grande Reverse Dyad Operator , LH	132626-LQSW	4.75 "
Grande Reverse Dyad Operator, Short Arm , RH	132626S-RQSW	4.5 "
Grande Reverse Dyad Operator, Short Arm , LH	132626S-LQSW	4.5 "

Back Plate



Stud Bracket 19048 (Non-Handed)

